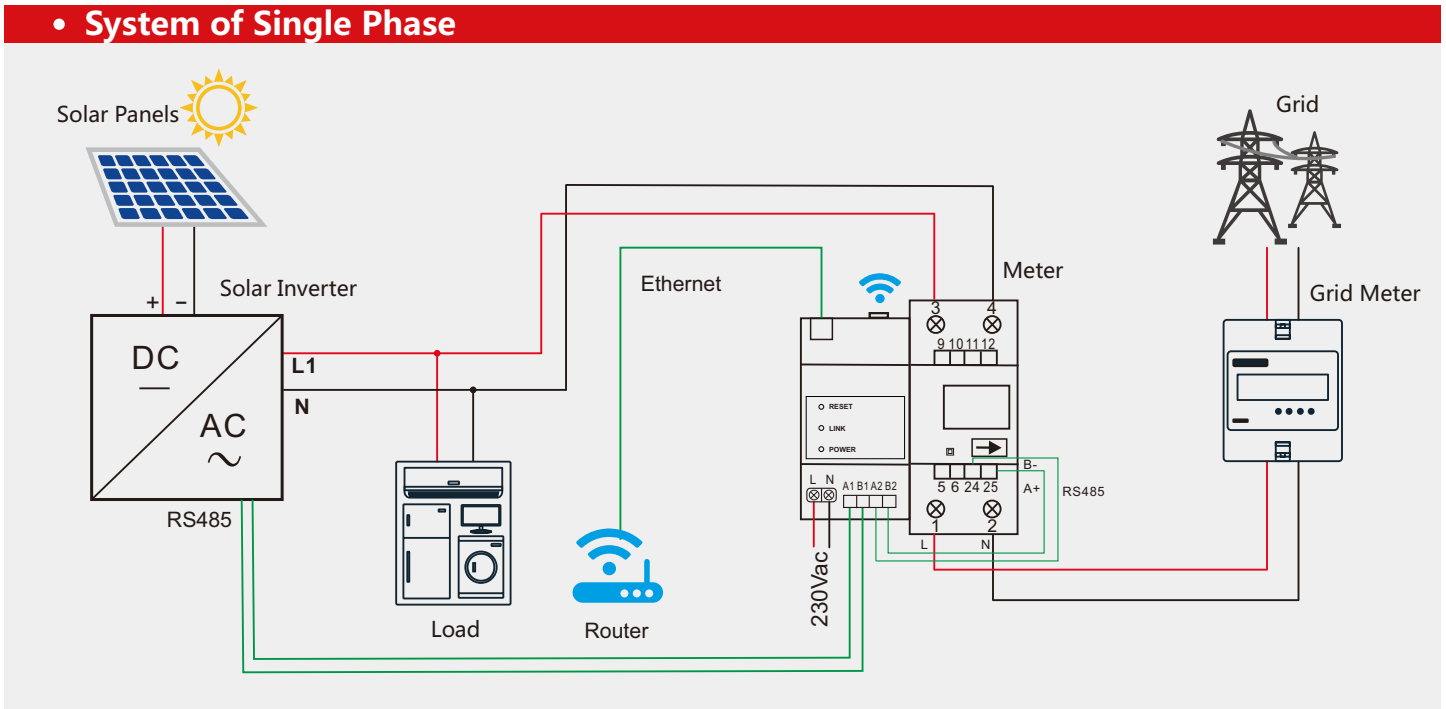




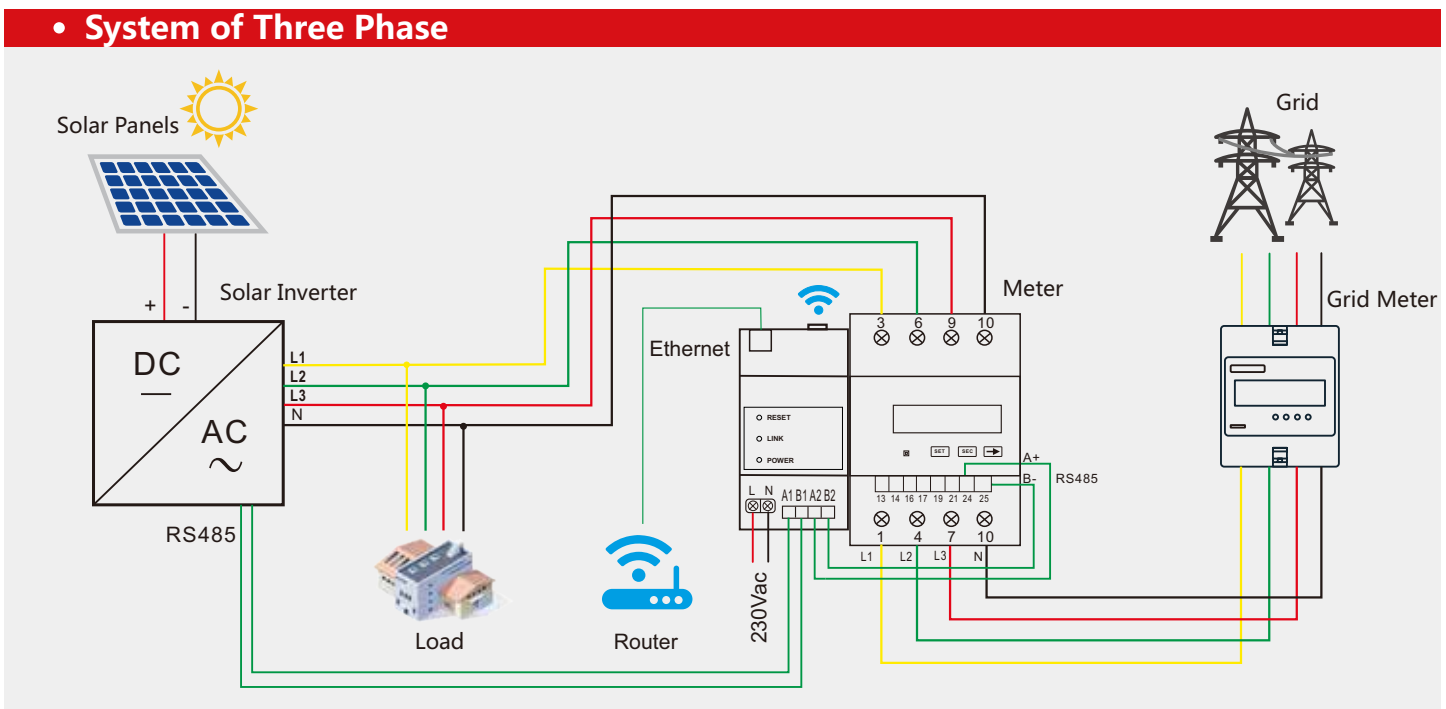
LOAD MONITORING

The Solution includes eSolar SEC, Smart meter, eSolar Portal and App. Smart meter collects the data of exporting power to the grid and importing power from the grid; eSolar SEC uploads the data of smart meter and solar inverter to eSolar sever via WiFi or Ethernet. Customer can easily access to data of solar generation and load consumption.

• System of Single Phase



• System of Three Phase





Bluetooth / Wi-Fi / Ethernet
Connection Diversified



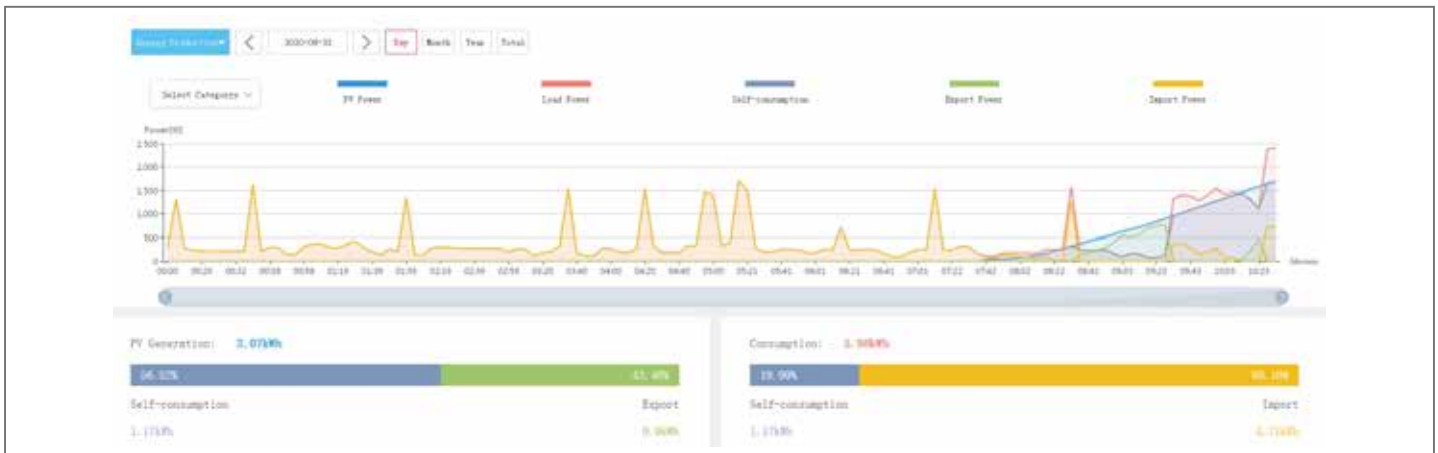
Rail Mount
Standardly



Web / App
Access Easily



Mono/Three
Phase Available



Type	eSolar SEC
Application	Home Load Monitoring
Communication Interface	WiFi / LAN / Bluetooth / RS485
Data Collection Interval [min]	1~30 [Optional], 10 [Standard]
Firmware Update Method	Serial Port / Remote
Access Data Method	APP / Web / Sever
Status Display	LED
Electric Parameters	
Input Voltage	100-240Vac
Input Frequency	50/60Hz
Static Power [W]	<0.8
Max. Instantaneous Power [W]	<5
Enviromental Parameter	
Operating Temperature Range	-25°C~+60°C
Storage Temperature Range	-30°C~+70°C
Dimensions (H*W*D) [mm]	84.4*36*65.5
Weight [g]	600
Ingress Protection	IP20
Others	
Mounting	Rail
Warranty [year]	2
Certification	CE RoHs

